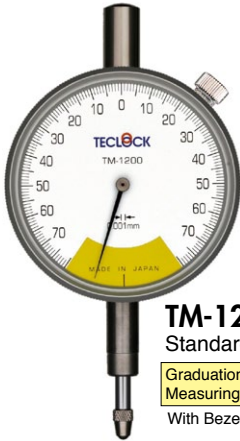




One Revolution Dial Indicator

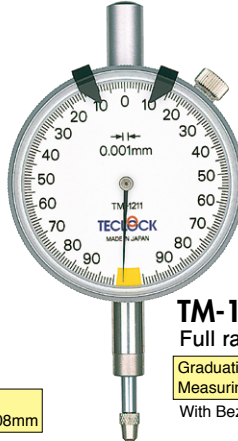
- These are indicators that are effective for comparative measurement with 0.0005mm, 0.001mm, and 0.01mm.
- High durability is realized with Teclock original and unique enlargement mechanism is built-in.
- Limiter is mounted as standard.
- Measuring ranges are subdivided to 0.08mm, 0.16mm, 0.2mm and 1.0mm.
- Clump is attached to 0.001mm model.
- Lifting lever (Option) can be mounted.
- In case that flat back is required, add suffix "f" to the end of model number (example =TM-1200 f).



TM-1200
Standard type
Graduation 0.001mm
Measuring Range 0.16mm
With Bezel clamp



TM-1210
Wide scale width type
Graduation 0.001mm
Measuring Range 0.08mm
With Bezel clamp



TM-1211
Full range type
Graduation 0.001mm
Measuring Range 0.2mm
With Bezel clamp



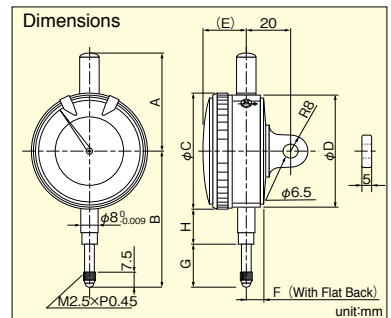
TM-102
Graduation of 0.01mm type
Graduation 0.01mm
Measuring Range 1.0mm
Bezel clamp (Option)



TM-98
Graduation of 0.1mm type
Graduation 0.1mm
Measuring Range 3.2mm
Bezel clamp (Option)



TM-5210
Minimum graduation type
Graduation 0.0005mm
Measuring Range 0.08mm



Specifications

Model	Graduation (mm)	Measuring Range (Free Stroke) (mm)	Repeatability (μm)	Indication Error (μm)			Hysteresis (μm)	Standard Contact Point	Measuring Force (N)	Weight (g)
				Adjacent Error	1 Revolution	Total Range				
TM-1200	0.001	0.16 (3.5)	0.5	2.5	-	±5	3	ZS-017	1.5 or less	170
TM-1210	0.001	0.08 (3.5)	0.8	2.5	-	±3.5	3	ZS-017	1.5 or less	170
TM-1211	0.001	0.2 (3.5)	0.5	2.5	-	±5	3	ZS-017	1.5 or less	170
TM-102	0.01	1 (5)	5	7	-	±10	5	ZS-017	1.4 or less	145
TM-98	0.1	3.2 (6)	20	20	-	±40	20	ZS-017	1.4 or less	145
TM-5210	0.0005	0.08 (3.5)	0.8	2.5	-	±2.5	2.5	ZS-017	1.5 or less	170

*In case flat back is required, please add suffix "f" to the end of model number.

Dimensions Table

Model	A	B	C	D	E	F	G	H
TM-1200	44.5	62	56	52.5	15	8	16	18
TM-1210	44.5	62	56	52.5	15	8	16	18
TM-1211	44.5	62	56	52.5	15	8	16	18
TM-102	48	65	55	52	15.8	8	19	18.5
TM-98	48	65	55	52	15.8	7.8	19	18.5
TM-5210	44.5	62	56	52.5	15	8	16	18

unit:mm