

Dial Indicator

Dial Indicator is surely utilized at manufacturing sites where dimensional high accuracy is needed to be confirmed. The graduation (1- graduation) depends on usage and Teclock offers 6 kinds of graduations, namely 0.0005mm, 0.001mm, 0.005mm, 0.01mm, 0.05mm and 0.1mm. The strokes are available from 0.08mm (the shortest) up to 150mm. Dial Indicator is normally not used independent but its stem or lug back is fixed to a jig and holds work piece with the measuring stand and contact point, and displacement volume is read with short hand and pointer. The dial indicator is applied for direct measurement to measure actual dimension and comparative measurement for measuring displacement volume from a certain standard dimension.

0.01mm Dial Indicator

- This is the most standard type dial indicator of graduation 0.01mm
- The model can be selected out of stainless stem, coaxial revolution pointer, oil discharge function and analog function depending on usage.
- These are standard series with high durability and high accuracy by pursuing parts accuracy.
- Lifting lever (Option) can be mounted (Refer to page 25).
- Bezel clamp (Option) can be mounted (except for TM-110PW / TM-110G).
- Measuring ability can be changed .
- In case that flat back is required, add suffix "f" to the end of model number (example =TM-110f).



TM-110
Standard type
Graduation 0.01mm
Measuring Range 10mm



TM-110R
Reversed dial type
Graduation 0.01mm
Measuring Range 10mm



TM-110D
Coaxial revolution pointers type
Graduation 0.01mm
Measuring Range 10mm



TM-110-4A
With oil ejection holed bezel type
Graduation 0.01mm
Measuring Range 10mm

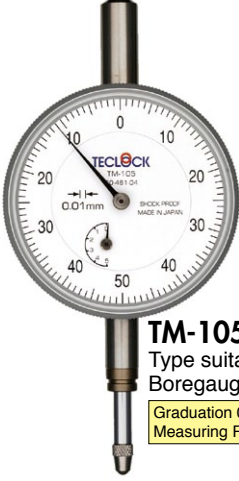


TM-110PW
Oil-Proof type
Graduation 0.01mm
Measuring Range 10mm



TM-110P
Direct reading graduation type
Graduation 0.01mm
Measuring Range 10mm

0.005mm Dial Indicators



TM-105
Type suitable to Boregauge
Graduation 0.01mm
Measuring Range 5mm



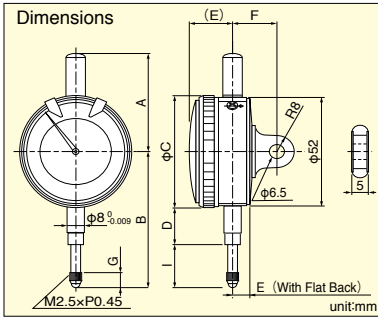
TM-105W
Reversed type
Graduation 0.01mm
Measuring Range 5mm



TM-5106
Wide scale width type
Graduation 0.01mm
Measuring Range 5mm



TM-5105
Graduation 0.005mm
Measuring Range 5mm



Dimension Table

Model	A	B	C	D	E	F	G	H	I
TM-110	48	65	55	18	15.5	20	7.5	7.8	19.5
TM-110R	48	65	55	18	15.5	20	7.5	7.8	19.5
TM-110D	48	65	55	18	17.6	20	7.5	7.8	19.5
TM-110-4A	48	65	55	18	15.5	20	7.5	7.8	19.5
TM-110PW	44.5	68.5	56	(17.5)	14.5	20	11	8.3	23.0
TM-110P	48	65	55	18	15.5	20	7.5	7.8	19.5
TM-105	48	65	55	18	15.5	*	7.5	7.8	19.5
* TM-105W	48	65	55	18	15.5	20	7.5	7.8	19.5
TM-5106	48	65	55	19	15.5	20	7.5	7.8	19.5
TM-5105	48	65	55	19	15.5	20	7.5	7.8	19.5

*Indicator is supplied with Flat back.

unit:mm

Specifications

Model	Graduation (mm)	Measuring Range (mm)	Repeatability (μm)	Indication Error (μm)					Hysteresis (μm)	Standard Contact Point	Measuring Force (N)	Weight (g)
				Adjacent Error	1/2 Revolution	1 Revolution	2 Revolution	Total Range				
TM-110	0.01	10	5	8	±9	±10	±15	±15	5	ZS-017	1.4 or less	165
TM-110R	0.01	10	5	8	±9	±10	±15	±15	5	ZS-017	1.4 or less	165
TM-110D	0.01	10	5	8	±9	±10	±15	±15	5	ZS-017	1.4 or less	165
TM-110-4A	0.01	10	5	8	±9	±10	±15	±15	5	ZS-017	1.4 or less	165
TM-110PW	0.01	10	5	8	±9	±10	±15	±15	5	ZS-028	1.4 or less	165
TM-110P	0.01	10	5	8	±9	±10	±15	±15	5	ZS-017	1.4 or less	145
TM-105	0.01	5	5	8	±9	±10	±12	±12	5	ZS-017	1.4 or less	145
TM-105W	0.01	5	5	8	±9	±10	±12	±12	5	ZS-017	1.4 or less	145
TM-5106	0.01	5	3	7	±8	±9	±10	±12	5	ZS-017	1.4 or less	145
TM-5105	0.005	5	3	7	±8	±9	±10	±12	5	ZS-017	1.4 or less	145

*In case flat back is required, please add suffix "f" to the end of model number. (example=TM-1201f)