



0.01mm Long Stroke Dial Indicator

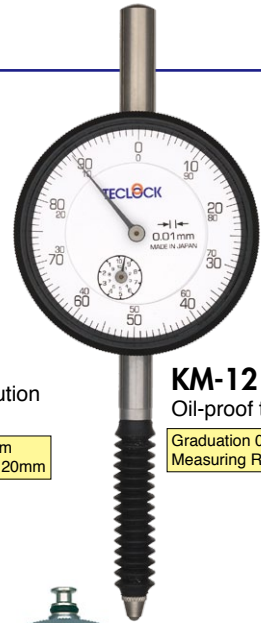
- 20mm, 30mm long stroke dial indicators are available.
- Teclock unique shock proof mechanism is built-in to all models.
- Lifting lever (Option) can be mounted (except for KM-121PW).
- Bezel clamp (Option) can be mounted (except for KM-121PW).
- In case that flat back is required, add suffix "f" to the end of model number (example =KM-121f).



KM-121
Standard type
Graduation 0.01mm
Measuring Range 20mm



KM-121D
Coaxial revolution pointers type
Graduation 0.01mm
Measuring Range 20mm

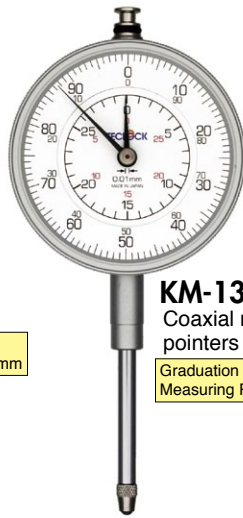


KM-121PW
Oil-proof type
Graduation 0.01mm
Measuring Range 20mm

Measuring Range 30mm



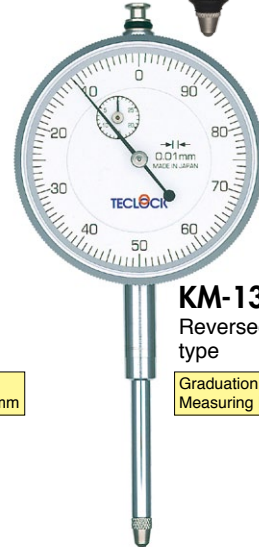
KM-131
Standard type
Graduation 0.01mm
Measuring Range 30mm



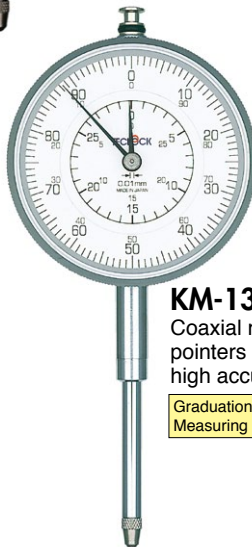
KM-132D
Coaxial revolution pointers type
Graduation 0.01mm
Measuring Range 30mm



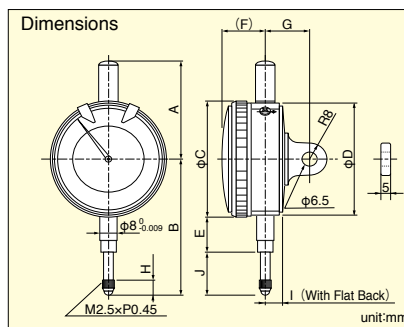
KM-130
High accurate type
Graduation 0.01mm
Measuring Range 30mm



KM-130R
Reversed dial type
Graduation 0.01mm
Measuring Range 30mm



KM-130D
Coaxial revolution pointers type in the high accuracy
Graduation 0.01mm
Measuring Range 30mm



Dimensions Table

Model	A	B	C	D	E	F	G	H	I	J
KM-121	36	75	55	52	18	15.5	20	7.5	7.8	29.5
KM-121D	36	75	55	52	18	17.6	20	7.5	7.8	29.5
KM-121PW	55	89	56	52	(17.5)	14.5	20	11	8.3	(43.5)
KM-131	36	86	55	52	19	15.5	20	7.5	8	39.5
KM-132D	36	86	55	52	19	17.3	20	7.5	8	39.5
KM-130	38.5	92	59	54.5	22.7	17.5	22	7.5	9.6	39.8
KM-130R	38.5	92	59	54.5	22.7	17.5	22	7.5	9.6	39.8
KM-130D	38.5	92	59	54.5	22.7	19.5	22	7.5	9.6	39.8

Specifications

Model	Graduation (mm)	Measuring Range (mm)	Repeatability (μm)	Indication Error (μm)			Hysteresis (μm)	Standard Contact Point	Measuring Force (N)	Weight (g)
				Adjacent Error	1 Revolution	Total Range				
KM-121	0.01	20	5	10	±15	±20	7	ZS-017	2.2 or less	145
KM-121D	0.01	20	5	10	±15	±20	7	ZS-017	2.2 or less	150
KM-121PW	0.01	20	5	10	±15	±20	7	ZS-028	2.2 or less	165
KM-131	0.01	30	5	14	±18	±35	8	ZS-017	2.5 or less	150
KM-132D	0.01	30	5	14	±18	±35	8	ZS-017	2.5 or less	150
KM-130	0.01	30	5	14	±18	±25	7	ZS-017	2.2 or less	200
KM-130R	0.01	30	5	14	±18	±25	7	ZS-017	2.2 or less	200
KM-130D	0.01	30	5	14	±18	±25	7	ZS-017	2.2 or less	200

*In case flat back is required, please add suffix "f" to the end of model number.



Long Stroke Dial Indicator

- 50mm, 100mm, 150mm long stroke dial indicators with a large graduation plates are available.
- Measuring up to 150mm is materialized with highest precision components of high durability and Teclock original and unique enlargement mechanism is built-in.

- Bezel clamp (Option) can be mounted (except for KM-05100 /KM-05150).
- Long stroke dial Indicator is widely used for construction, civil engineering industries etc.
- In case that flat back is required, add suffix "f" to the end of model number (example =KM-155f) (except for KM-05100 /KM-05150).



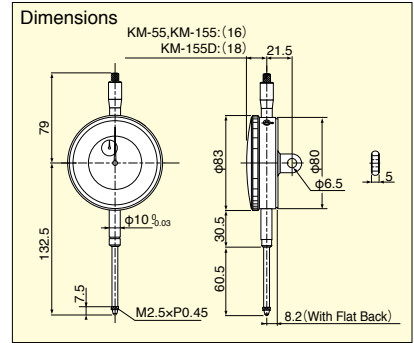
KM-55
Durability emphasis type
Graduation 0.05mm
Measuring Range 50mm



KM-155
Wide graduation width type
Graduation 0.01mm
Measuring Range 50mm



KM-155D
Coaxial revolution pointers type
Graduation 0.01mm
Measuring Range 50mm



Specifications

Model	Graduation (mm)	Measuring Range (mm)	Repeatability (μm)	Indication Error (μm)			Hysteresis (μm)	Standard Contact Point	Measuring Force (N)	Weight (g)
				Adjacent Error	1 Revolution	Total Range				
KM-55	0.05	50	20	30	± 50	± 100	15	ZS-017	2.5 or less	285
KM-155	0.01	50	5	15	± 20	± 35	9	ZS-017	2.5 or less	285
KM-155D	0.01	50	5	15	± 20	± 35	9	ZS-017	2.5 or less	285

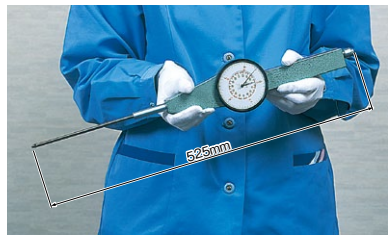
*In case flat back is required, please add suffix "f" to the end of model number.



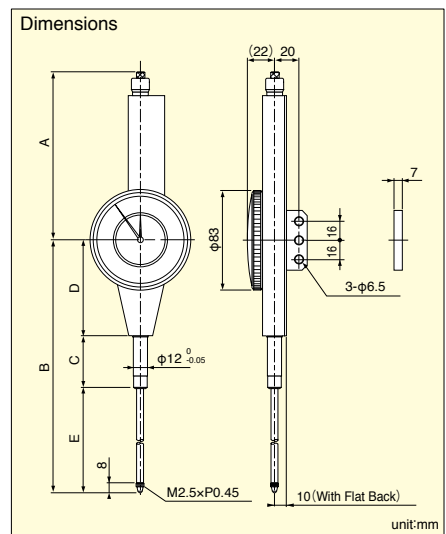
KM-05100
Coaxial revolution pointers type
Graduation 0.05mm
Measuring Range 100mm



KM-05150
Coaxial revolution pointers type
Graduation 0.05mm
Measuring Range 150mm



The longest mechanical type model: KM-05150



Dimensions Table

Model	A	B	C	D	E
KM-05100	140	235	44	80	111
KM-05150	190	335	55	120	160

unit:mm

Specifications

Model	Graduation (mm)	Measuring Range (mm)	Repeatability (μm)	Total Range Indication Error (μm)	Hysteresis (μm)	Standard Contact Point	Measuring Force (N)	Weight (g)
KM-05100	0.05	100	30	± 100	15	ZS-018	2.5 or less	550
KM-05150	0.05	150	30	± 150	15	ZS-018	3.0 or less	680