



New JIS compliance

ISO compliance

# Totally Automatic type IRHD / M method Micro – size International Rubber Hardness Tester

- Micro-hardness can be measured by 8/1 scale each durometer of type A, E, E2, OO, FO in addition to IRHD / M method.
- Hardness of O ring and small rubber parts can be measured with totally automatic.
- Voice coil motor is adopted for load system. Friction and reproducibility of inner mechanism is improved, which is different from weight system.
- It is plug-in type that plunger (contact point) can be easily changed and recalibration on test method change is not needed.
- As test piece table is wide, various measuring jigs can be set up.



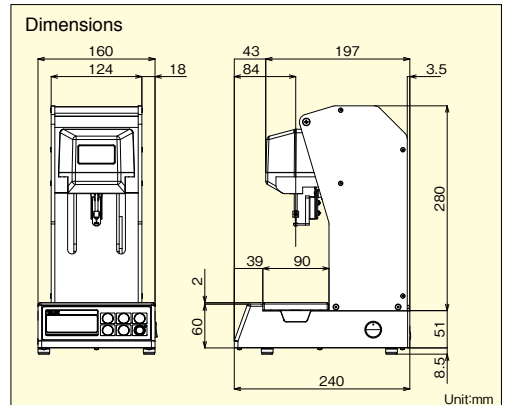
GS-680sel

PC connecting example

## Specifications

Hardness testing method	IRHD · M-method	Durometer Hardness	
Compliance standards	ISO 48/JIS K 6253	ISO 7619/JIS K 6253	
Measuring accuracy	±0.1 IRHD	TECLOCK Standards/ASTM D 2240	
		Type A/E ±1	JIS K 6253
		Type E2/FO ±1	TECLOCK Standards
Measuring range	30~100 IRHD	Type OO ±2	ASTM D 2240
		0 ~ 100	
Minimum indication unit	0.1		
Measurement part movable distance	100mm		
Measurable test-piece dimensions	W=160 / D=110 / H=100mm		
Conformity standards	EC Directive (EN61326)		
Outside interface	RS-232C		
Power	AC100~200 V / AdapterDC24V		
Weight	7.8kg (Main unit)/0.6kg (Power unit)		
Accessories	PC application CD (for Windows XP & 7)		
	PC connecting cables/AC adapter Spare plunger (x1) (ZS-121) for IRHD		
Rubber specimen	ZY-917 6 types set (w/Inspection table)		

Other functions: Measurement time extension, Return-measurement function, Self-diagnosis function, Statistical processing (Relaxation curve, Average value, Median value etc)

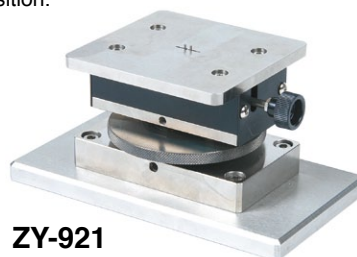


## O Ring Measuring Device for GS-680

This is the device for centering of O ring of which wire diameter is 0.5mm-10mm. The pin at stage center which fixes position of O ring slightly moves up/down and left/right independently and fixes the position. In addition, it is possible to rotate it to an arbitrary position.

### Specifications

Model	ZY-921
Stage dimensions	90×86mm
Applicable O-ring diameter	φ0.5~φ10mm
Weight	2.9kg



ZY-921

